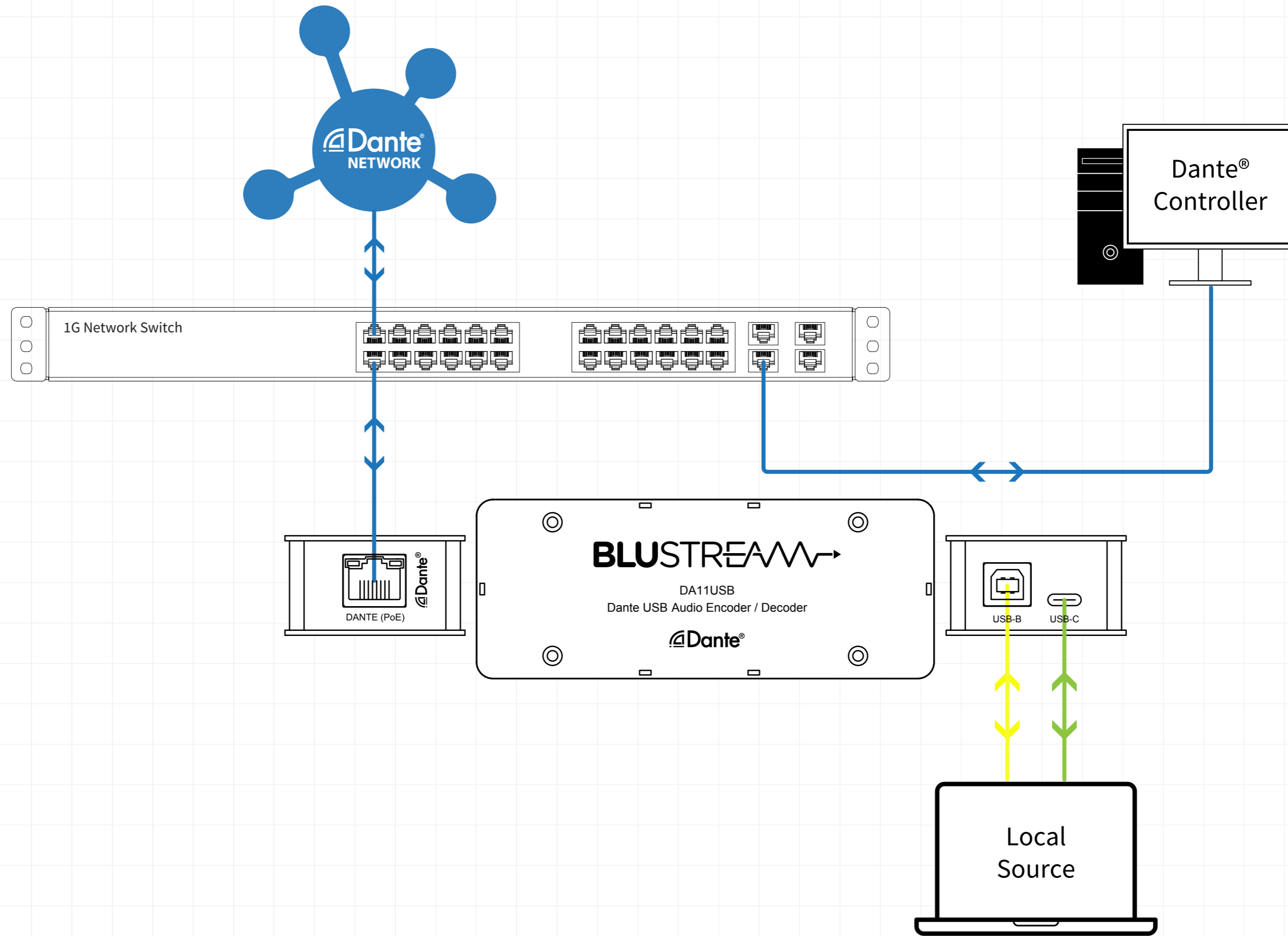
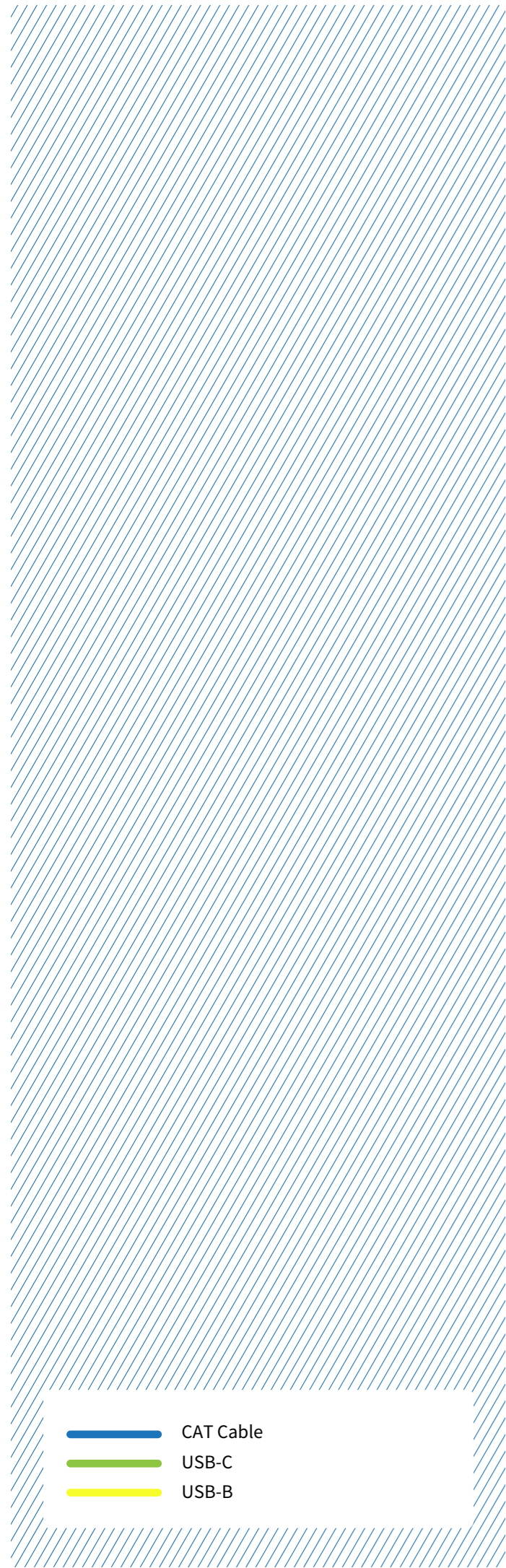





Example Schematic  
**DA11USB**



-  CAT Cable
-  USB-C
-  USB-B