

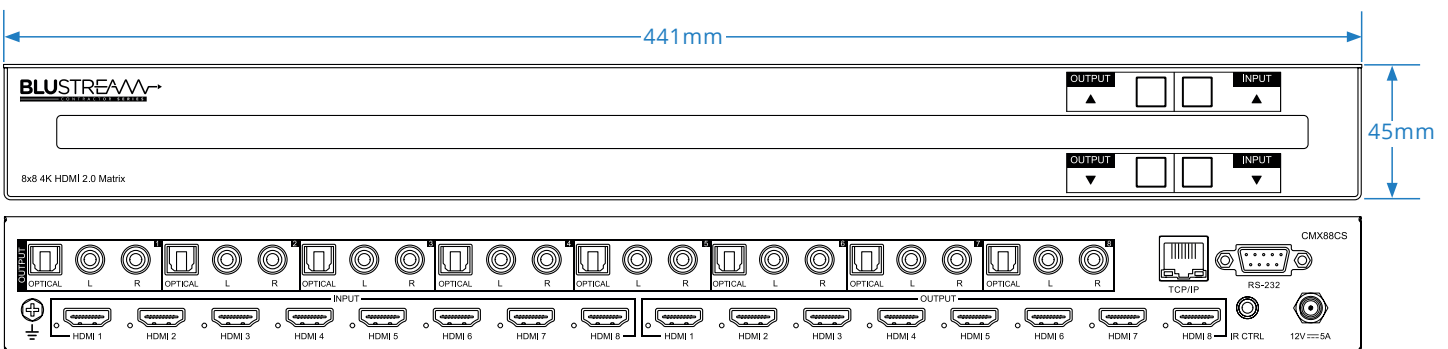
## 8x8 4K HDMI 2.0 Matrix

### Description

Our Contractor CMX88CS 4K HDMI Matrix offers unprecedented performance and value for the custom installation market.

The CMX88CS supports HDMI2.0 with HDCP2.2, allowing distribution of eight HDMI sources to eight displays. This enables all sources to be viewed as required within a matrix configuration. The unit transmits all HDMI resolutions up to and including 4K 60Hz 4:4:4.

The 8-Way matrix also includes audio breakout, EDID management and a web browser interface module for control and configuration of the matrix.



### Key Features

- Features 8x HDMI inputs which can be independently routed to 8x HDMI outputs
- Supports 4K UHD video including HDR (up to 4K @60Hz 4:4:4)
- Independent video down conversion on all HDMI outputs allowing a display only capable of supporting lower 4K video resolutions (4K 60Hz 4:2:0) to receive 4K 60Hz 4:4:4 video content while still showing maximum original 4K UHD resolution on remaining outputs
- Supports all industry standard video resolutions including VGA-WUXGA and 480i-4K
- Supports all known HDMI audio formats including Dolby TrueHD, Dolby Atmos, Dolby Digital Plus and DTS-HD Master Audio transmission
- HDMI audio breakout to associated output analogue L/R audio and optical digital outputs concurrently
- Web interface module for control and configuration of the Matrix
- Control via front panel, IR, RS-232 & TCP/IP
- 3rd party drivers available for all major home control brands
- Advanced EDID management
- HDCP 2.2 compliant

Blustream cannot be held responsible for errors in typography or photography. Specifications are subject to change without notice.



## Specifications

- Casing Dimensions (W x D x H): 441mm x 226mm x 45mm
- Dimensions Inc. Connections (W x D x H): 441mm x 234mm x 51mm
- Shipping Weight: 3.5kg
- Operating Temperature: 32°F to 104°F (0°C to 40°C)
- Storage Temperature : -4°F to 140°F (-20°C to 60°C)
- Power Supply : 12V/5A DC

## Connectivity

- Video Input Connectors: 8x HDMI Type A, 19-pin, female
- Video Output Connectors: 8x HDMI Type A, 19-pin, female
- Audio Output Connectors: 8x RCA (SPDIF), 8x Analogue audio RCA (L/R)
- RS-232 Serial Port: 1x DB-9, female
- TCP/IP Control: 1x RJ45, female
- IR Input Ports: 1x 3.5mm stereo jack

## Package Contents

1 x CMX88CS
1 x 12V/5A DC Power Supply
1 x Remote Control
1 x IR Receiver
1 x IR Control Cable - 3.5mm to 3.5mm cable
1 x Mounting Kit
1 x Quick Reference Guide

## Regulatory Compliance



Blustream cannot be held responsible for errors in typography or photography. Specifications are subject to change without notice.