

► POC11

User Manual

Thank you for purchasing this product.

For optimum performance and safety, please read these instructions carefully before connecting, operating or adjusting this product. Please keep this manual for future reference.

**Surge Protection Device Recommended**

This product contains sensitive electrical components that may be damaged by electrical spikes, surges, electric shock, lightning strikes, etc. Use of surge protection systems is highly recommended in order to protect and extend the life of your equipment.

Contents

Introduction	03
Features	03
Front Panel Description	03
Rear Panel Description	03
PoC Distance Limitations	04
Specifications	05
Package Contents	05
Certifications	06

Introduction

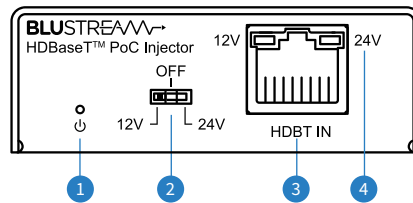
The POC11 HDBaseT™ PoC injector is designed to send remote power to Blustream HDBaseT products that operate using Power over Cable. When placed within an HDBaseT Transmission line, it allows a Blustream HDBaseT Transmitter to be remotely powered via selectable 12V or 24V DC.

- In-line PoC (Power over Cable) injector to power Blustream HDBaseT Transmitter products
- Compatible with all Blustream HDBaseT™ video solutions (HDBaseT spec 1.0, 2.0 and 3.0)
- Supports 18Gbps 4K signals, multi-channel audio formats, and HDCP 2.2
- Supports up to 100m cable distance *
- Selectable voltage between 12V or 24V

* Cable distance subject to location of POC11, and Blustream HDBaseT product being installed. POC11 to TX distance max 30mtrs. POC11 to RX distance max 70mtrs. Please refer to "PoC Distance Limitations" section for further details

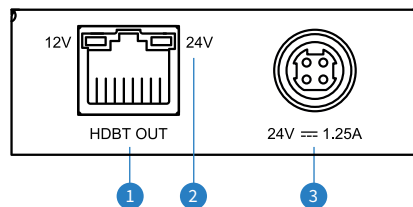
** Please note, the POC11 is designed for use with Blustream products and may not work with other HDBaseT extenders on the market

Front Panel Description



- 1 Power Status LED - Illuminates when device is powered on
- 2 Voltage Selection - used to switch between 12V, 24V, or PoC OFF, for remote power of HDBaseT Transmitter connected to input
- 3 HDBaseT input - Connect to Blustream HDBaseT Transmitter product
- 4 12V / 24V Status LED - Illuminates either 12V or 24V LED to show current voltage selection

Rear Panel Description



- 1 HDBaseT output - Connect to HDBaseT Receiver product
- 2 12V / 24V Status LED - Illuminates either 12V or 24V LED to show current voltage selection
- 3 Power Port - Use 24V/1.25A DC power adaptor (included)

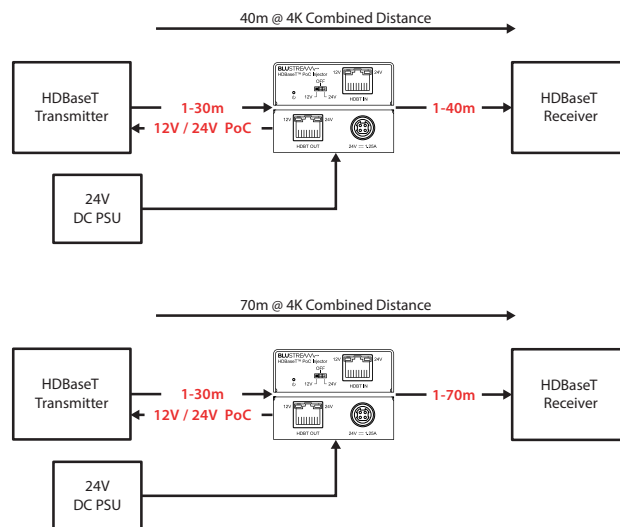
PoC Distance Limitations

The POC11 can be configured to provide either 12V or 24V PoC to connected Blustream HDBaseT Transmitter products. This solution has been designed specifically for use with Blustream HDBaseT wall plate Transmitters (HEX11WP-TX and HEX31WP-TX) when used with the Custom Pro HDBaseT Input card (PRO-IN2H2TCS) where this input card does not provide PoC to the connected Transmitter, and direct power is unavailable to the wall plate. It can also be used in conjunction with projectors and commercial displays that feature HDBaseT inputs, to power the connected Blustream HDBaseT wall plate Transmitter.

The maximum cable distance from the Blustream HDBaseT Transmitter to the POC11 is 30m (regardless of video resolution being distributed). The maximum combined distance from the Blustream HDBaseT Transmitter, via the POC11, and onto the HDBaseT Receiver product is subject to the HDBaseT IC in the HDBaseT TX and RX products. Please refer to the table below.

Please note:

- The POC11 is not a HDBaseT repeater product and does not add additional distance to the combined cable length
- The POC11 will not power the connected HDBaseT Receiver (HDBaseT Out)
- The use of joins / patch panels in the CAT cable run can limit the overall maximum distance of cabling



HDBASET TRANSMITTER	MAXIMUM COMBINED CABLE DISTANCE AT 4K (HEX70SL-RX/RX70CS EXAMPLE)	MAXIMUM COMBINED CABLE DISTANCE AT 4K (PRO-IN2H2TCS EXAMPLE)	MAXIMUM COMBINED CABLE DISTANCE AT 4K (HEX18G-RX/RX18G EXAMPLE)	SUPPORTED VOLTAGE (TO TX)
HEX11WP-TX	40m	40m	40m	12V / 24V
HEX31WP-TX	40m	40m	40m	12V / 24V
HEX70SL-TX	40m	40m	40m	12V / 24V
HEX70CS-TX	40m	40m	40m	12V
HEX70ARC-TX	40m	40m	40m	12V / 24V
HEX70USB-TX	40m	40m	40m	12V / 24V
HEX100CS-TX	40m	70m	70m	12V
HEX150CS-TX	40m	70m	100m	12V
HEX18G-TX	40m	70m	100m (CAT6a F/UTP)	12V / 24V
HEX18GARC-TX	40m	70m	100m (CAT6a F/UTP)	12V / 24V

Specifications

POC11

- **Video Inputs:** 1 x HDBaseT™ RJ45 connection
- **Video Outputs:** 1 x HDBaseT™ RJ45 connection
- **Voltage Selection:** 1 x 3-step switch
- **Casing Dimensions (W x H x D):** 65mm x 80mm x 24mm
- **Shipping Weight:** 0.5kg
- **Operating Temperature:** 32°F to 104°F (0°C to +40°C)
- **Storage Temperature:** -4°F to 140°F (-20°C to +60°C)
- **Power Supply:** 24V/1.25A DC 4-pin DIN

NOTE: Specifications are subject to change without notice. Weights and dimensions are approximate.

Package Contents

POC11

- 1 x POC11
- 1 x Mounting kit
- 1 x 24V/1.25A DC Power Supply
- 1 x Quick Reference Guide

Certifications

FCC Notice

This equipment has been tested and found to comply with the limits for a Class B digital device, pursuant to part 15 of the FCC Rules. These limits are designed to provide reasonable protection against harmful interference in a residential installation. This equipment generates, uses, and can radiate radio frequency energy and, if not installed and used in accordance with the instructions, may cause harmful interference to radio communications. However, there is no guarantee that interference will not occur in a particular installation. If this equipment does cause harmful interference to radio or television reception, which can be determined by turning the equipment off and on, the user is encouraged to try to correct the interference by one or more of the following measures:

- Reorient or relocate the receiving antenna.
- Increase the separation between the equipment and receiver.
- Connect the equipment into an outlet on a circuit different from that to which the receiver is connected.
- Consult the dealer or an experienced radio/TV technician for help.

CAUTION - changes or modifications not expressly approved by the party responsible for compliance could void the user's authority to operate the equipment.

CANADA, INDUSTRY CANADA (IC) NOTICES

This Class B digital apparatus complies with Canadian ICES-003.

Operation is subject to the following two conditions: (1) this device may not cause interference, and (2) this device must accept any interference, including interference that may cause undesired operation of the device.

CANADA, AVIS D'INDUSTRY CANADA (IC)

Cet appareil numérique de classe B est conforme aux normes canadiennes ICES-003.

Son fonctionnement est soumis aux deux conditions suivantes : (1) cet appareil ne doit pas causer d'interférence et (2) cet appareil doit accepter toute interférence, notamment les interférences qui peuvent affecter son fonctionnement.

CORRECT DISPOSAL OF THIS PRODUCT

This marking indicates that this product should not be disposed with other household wastes. To prevent possible harm to the environment or human health from uncontrolled waste disposal, recycle it responsibly to promote the sustainable reuse of material resources. To return your used device, please use the return and collection systems or contact the retailer where the product was purchased. They can take this product for environmentally safe recycling.





www.blustream.com.au

www.blustream-us.com

www.blustream.co.uk