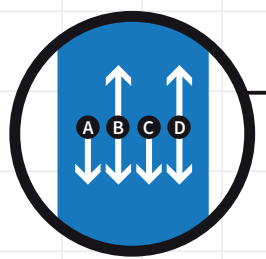
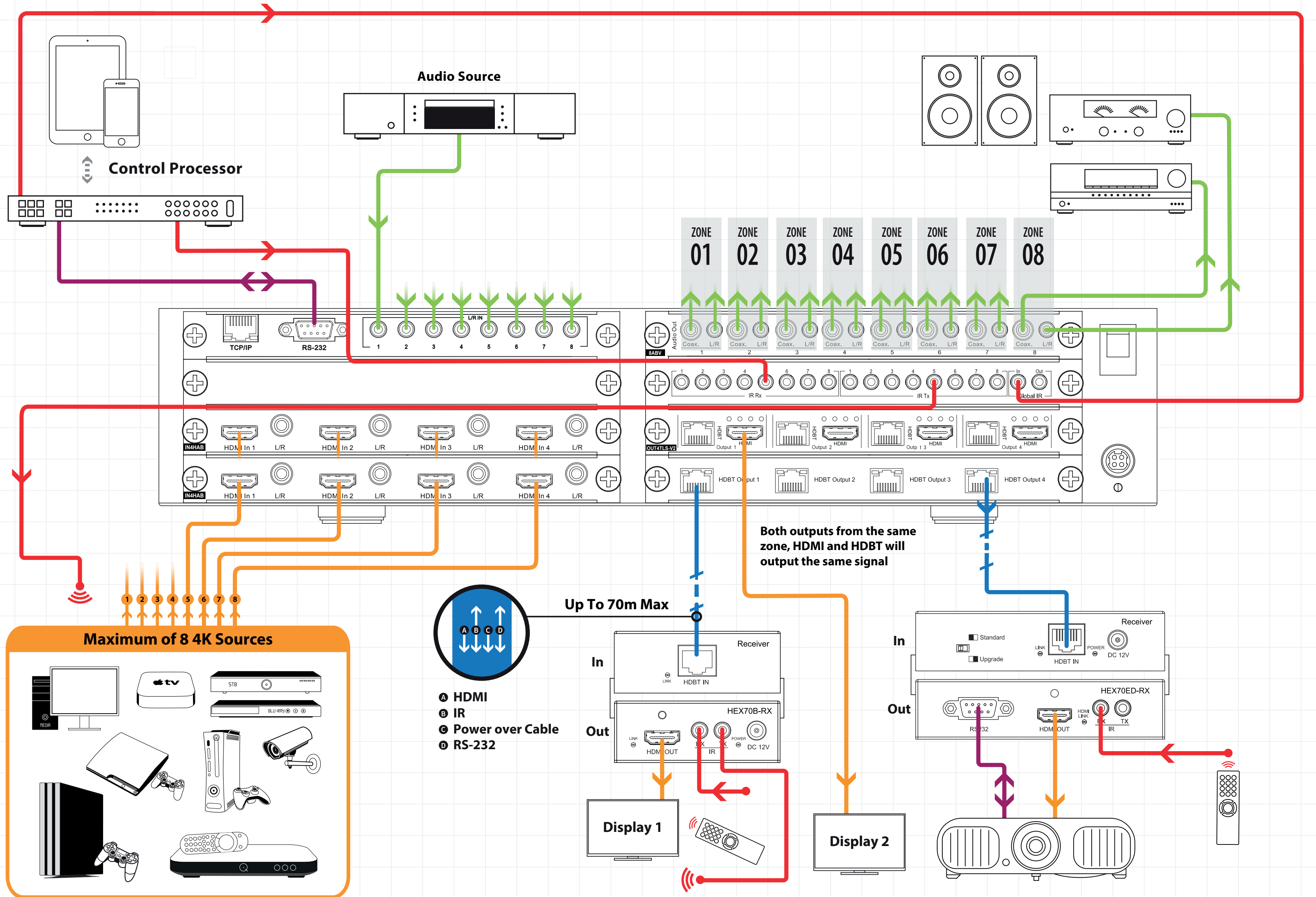


Example Schematic
8x8 Chassis



- A** HDMI
- B** IR
- C** Power over Cable
- D** RS-232