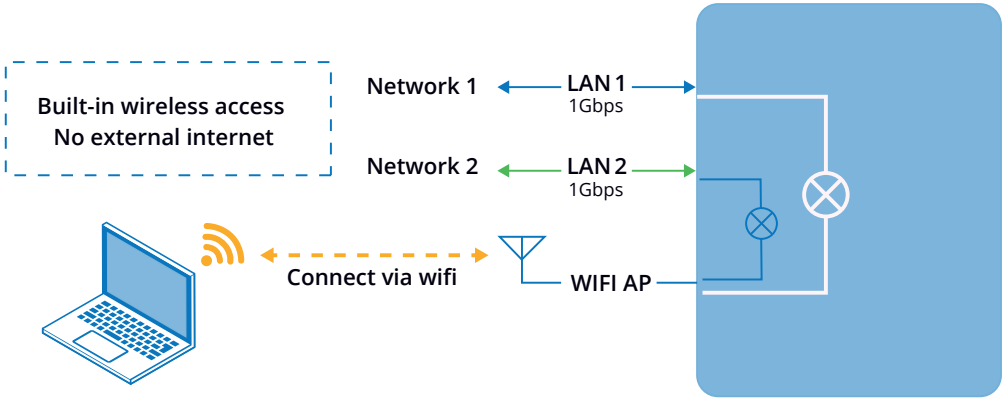


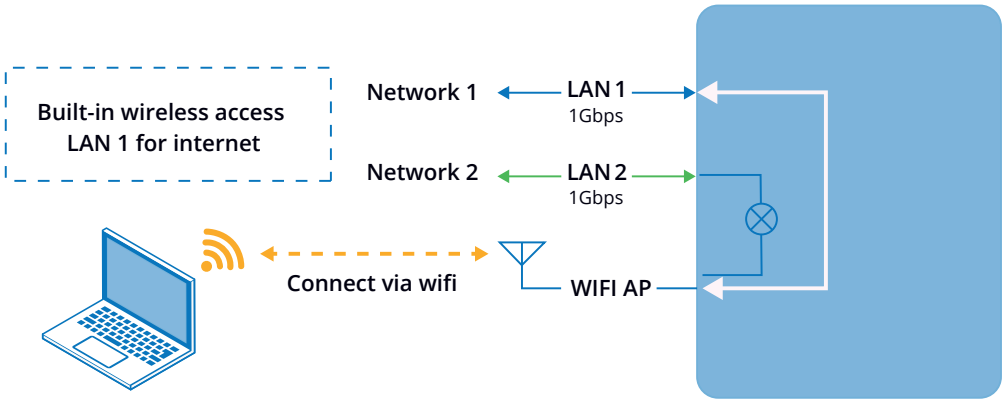
Network

Disable Internet Access



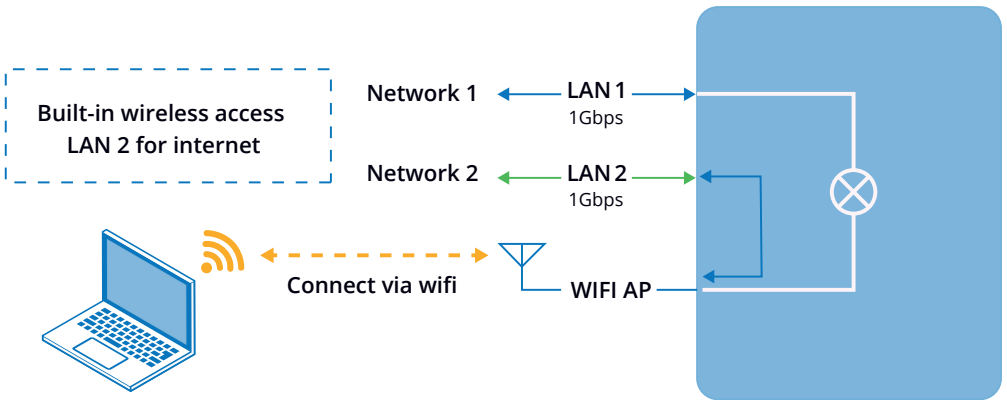
Network

Allow Internal Access Briging Via LAN 1



Network

Allow Internal Access Briging Via LAN 2



- Wired connection to LAN 1 Network
- - - Wireless connection to LAN 1 Network
- Wired connection to LAN 2 Network
- - - Wireless connection to LAN 2 Network
- - - Wireless connection to WMF72

LAN Access Point Mode

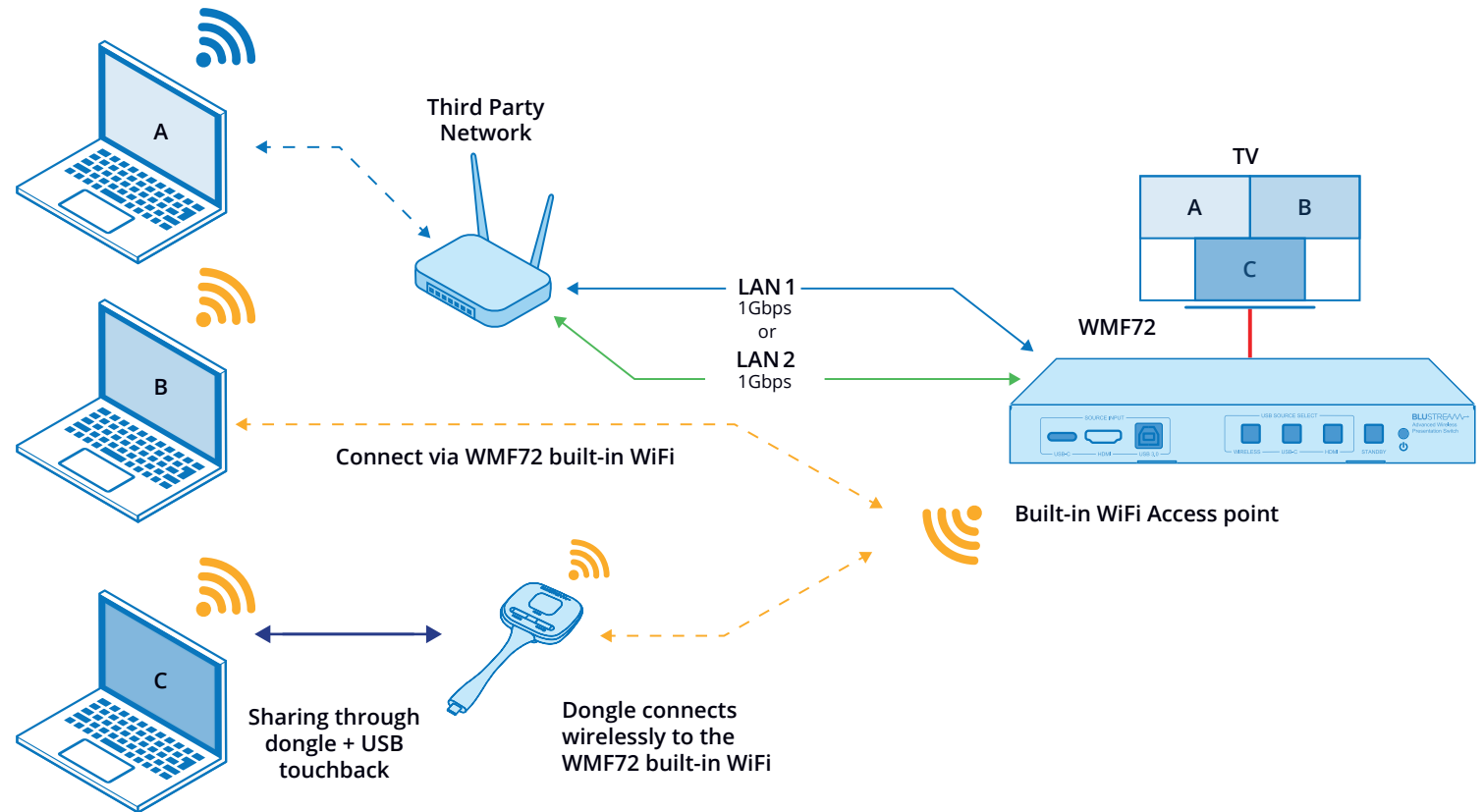
Hardwired LAN1 or LAN2 connected to a single Third Party Network

Mode **Access Point Mode**

In access point mode all sources can be connected directly to the built-in WiFi. Third party casting methods can also be shared via LAN connection.

Built-in WiFi settings are configurable via web GUI.

Internet access via LAN can be enabled/disabled.



Sample Application:

Device ID: WMF72-8042

Pass: 00001185

LAN IP: 169.254.2.51/N/A

Wifi IP: 192.168.43.1

After configuring the Network, Re-pair the Dongles. Dongles will be connected directly to the WMF72.

- | | | | |
|--|--|--|-------------------------------------|
| | Wired connection to Third Party Network | | Hardwired connection to Host device |
| | Wireless connection to Third Party Network | | WiFi |
| | Wired connection to Third Party Guest Network | | LAN Infrastructure Mode |
| | Wireless connection to Third Party Guest Network | | Access Point Mode |
| | Wireless connection to WMF72 | | |

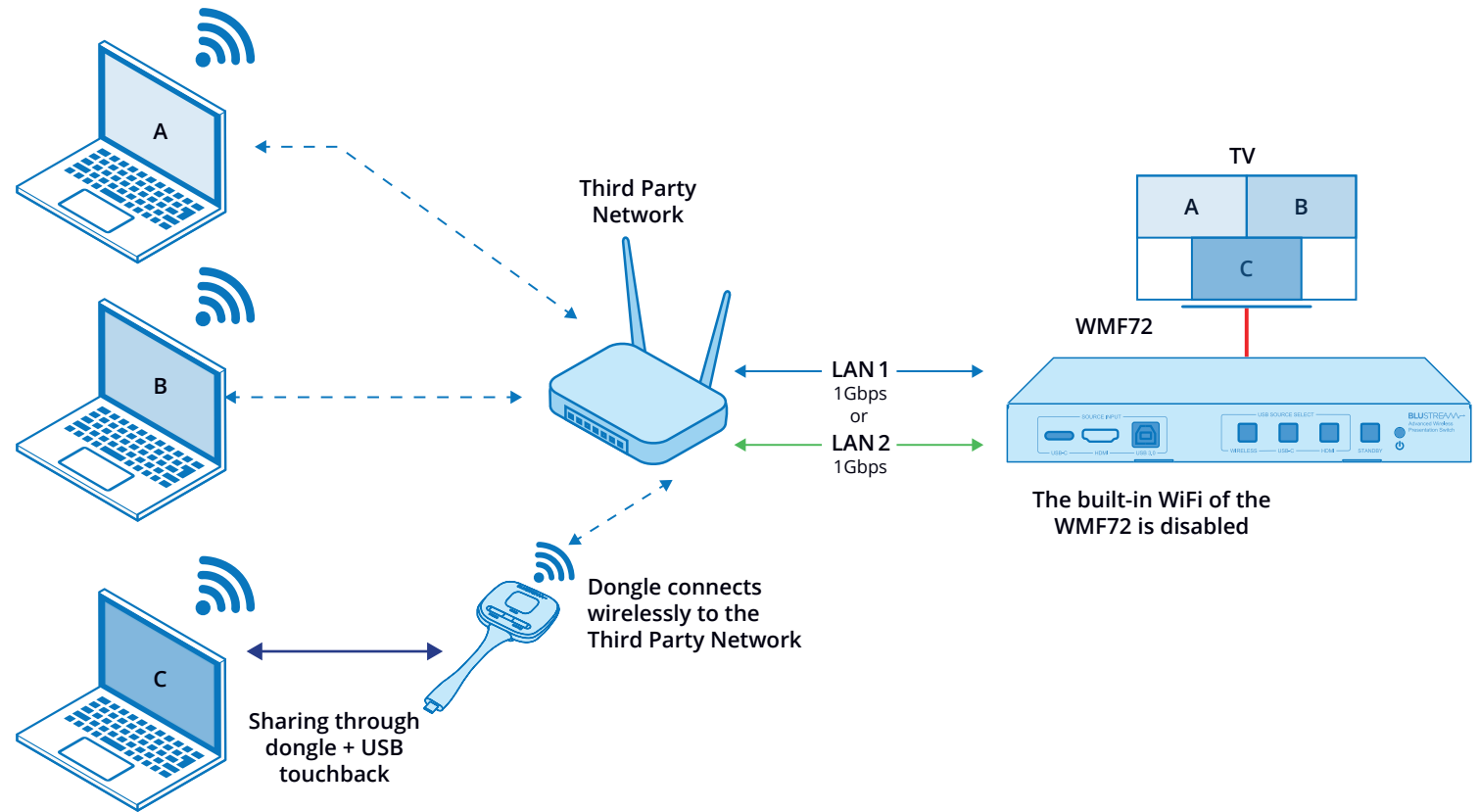
LAN Infrastructure Mode

WMF72 is hardwired to existing LAN. Built-in WiFi of the WMF72 is disabled

Mode **LAN Infrastructure Mode**

In LAN infrastructure mode, the dongles connect to the WMF72 via third party WiFi network. The WMF72 is connected via hardwired LAN to the third party network.

Third party network details are entered into WMF72 via web GUI and transferred to the dongles during pairing process.



Sample Application:

Device ID: WMF72-8042

Pass: 00001185

LAN IP: N/A/169.254.59.124

Wifi IP: 192.168.43.1

After configuring the Network, Re-pair the Dongles. Dongles will be connected directly to the LAN 1 network.

- | | | | |
|--|--|--|-------------------------------------|
| | Wired connection to Third Party Network | | Hardwired connection to Host device |
| | Wireless connection to Third Party Network | | HDMI |
| | Wired connection to Third Party Network | | Wireless Infrastructure Mode |
| | Wireless connection to Third Party Network | | LAN Infrastructure Mode |
| | Wireless connection to WMF72 | | Access Point Mode |

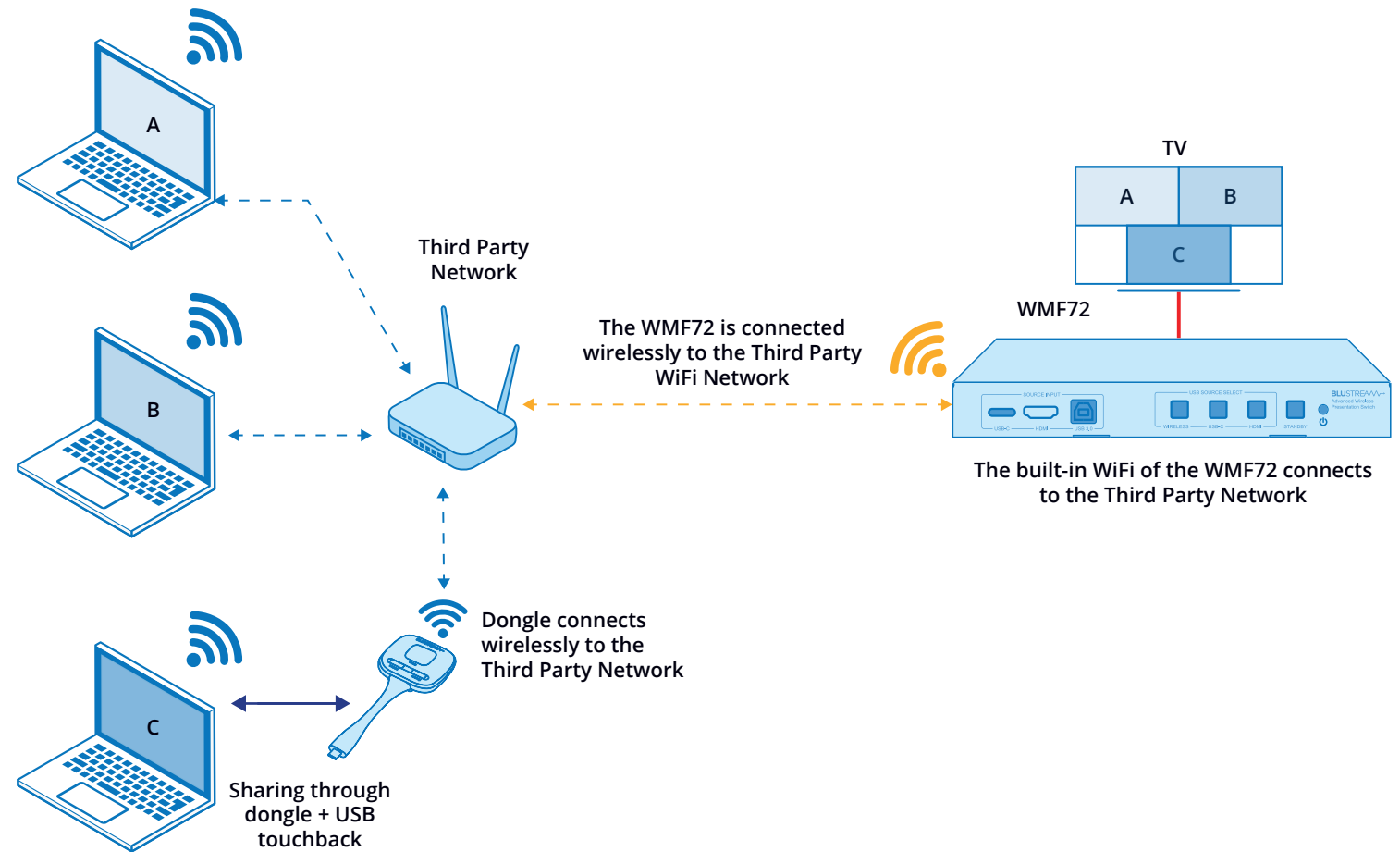
Wireless Infrastructure Mode

WMF72 is wirelessly connected to third party WiFi. Built-in WiFi of the WMF72 is disabled

Mode **Wireless Infrastructure Mode**

In wireless infrastructure mode, the dongles connect to the WMF72 via third party WiFi network. The WMF72 is connected wirelessly to the third party network.

Third party network details are entered into WMF72 via web GUI and transferred to the dongles during pairing process.



After configuring the Network, Re-pair the Dongles. Dongles will be connected directly to the Guest network.

Sample Application:

- Device ID: WMF72-8042
- Pass: 00001185
- LAN IP: N/A/169.254.59.124
- Wifi IP: 169.254.162.14

- Wired connection to Third Party Network
- - - Wireless connection to Third Party Network
- Wired connection to Third Party Guest Network
- - - Wireless connection to Third Party Guest Network
- - - Wireless connection to WMF72
- Hardwired connection to Host device
- HDMI
- 📶 Wireless Infrastructure Mode
- 📶 LAN Infrastructure Mode
- 📶 Access Point Mode

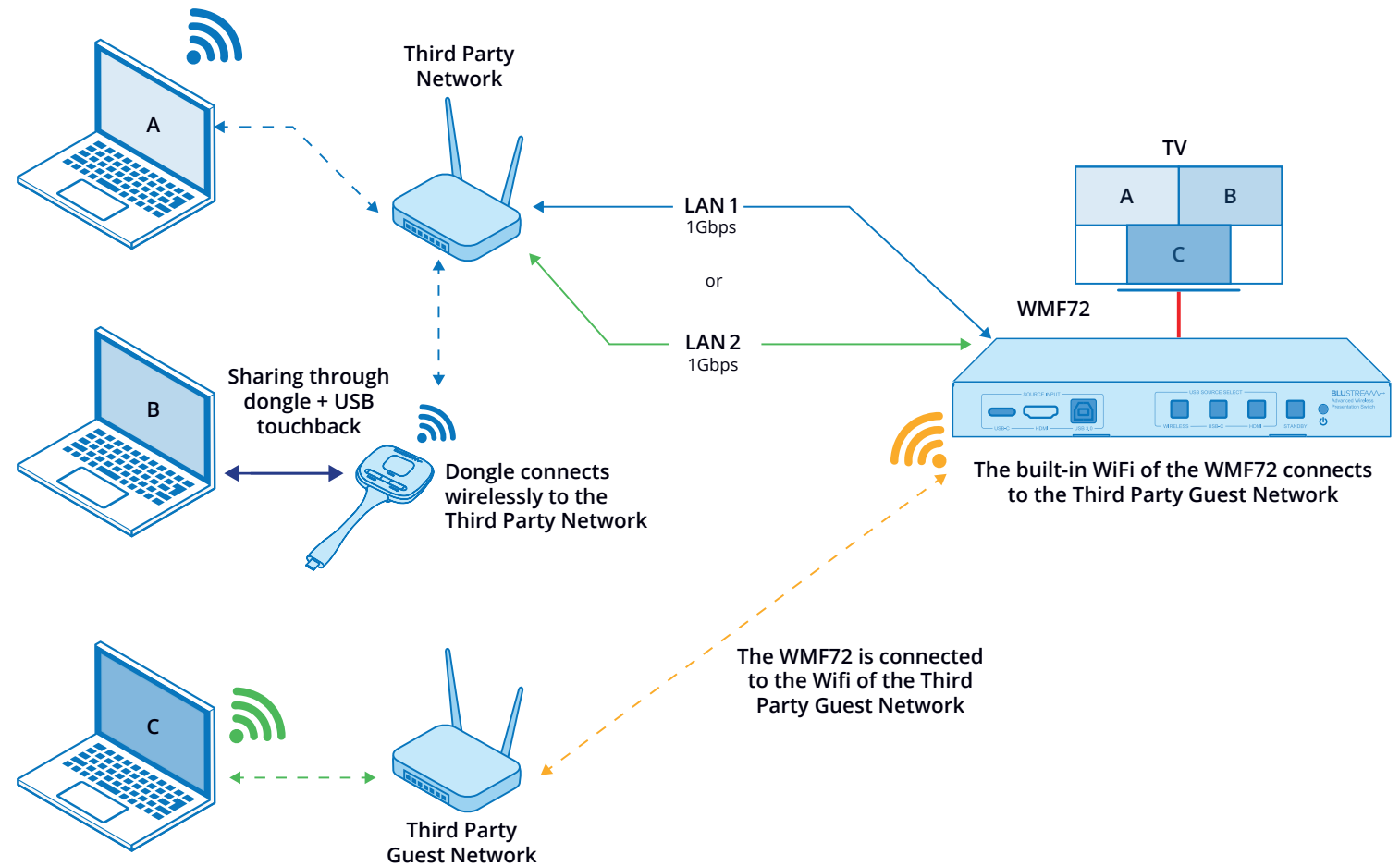
Wireless Infrastructure Mode

WMF72 is hardwired to the Third Party Network and wirelessly connected to Third Party Guest Network

Mode **Wireless Infrastructure Mode**

In wireless infrastructure mode, the dongles connect to the WMF72 via third party WiFi network. The WMF72 is connected wirelessly to the third party network.

Third party network details are entered into WMF72 via web GUI and transferred to the dongles during pairing process.



After configuring the Network, Re-pair the Dongles. Dongles will be connected directly to the Guest network.

Sample Application:

- 📶 Device ID: WMF72-8042
- 🔑 Pass: 00001185
- LAN IP: N/A/169.254.59.124
- Wifi IP: 169.254.162.14

- Wired connection to Third Party Network
- - - Wireless connection to Third Party Network
- Wired connection to Third Party Guest Network
- - - Wireless connection to Third Party Guest Network
- - - Wireless connection to WMF72
- Hardwired connection to Host device
- HDMI
- 📶 Wireless Infrastructure Mode
- 📶 LAN Infrastructure Mode
- 📶 Access Point Mode

DUAL Network Configuration Access Point Mode

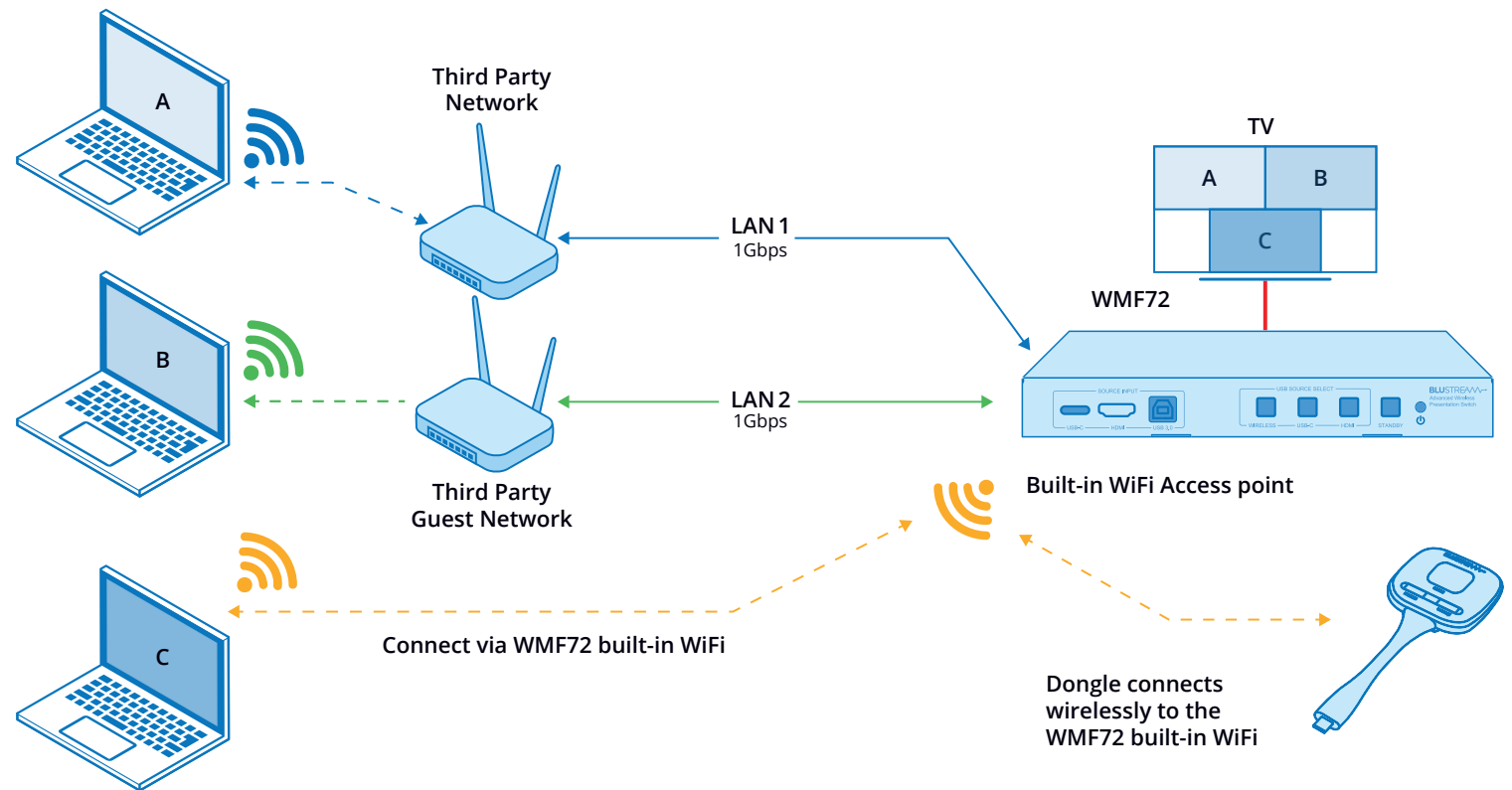
Hardwired LAN1 and LAN2 connected to Third Party Networks

Mode **Access Point Mode**

In access point mode all sources can be connected directly to the built-in WiFi. Third party casting methods can also be shared via LAN connection.

Built-in WiFi settings are configurable via web GUI.

Internet access via LAN can be enabled/disabled.



Sample Application:

- 📶 Device ID: WMF72-8042
- 🔑 Pass: 00001185
- LAN IP: 169.254.2.51/169.254.59.124
- Wifi IP: 192.168.43.1

After configuring the Network, Re-pair the Dongles. Dongles will be connected directly to the WMF72.

- | | | | |
|--|--|--|-------------------------------------|
| | Wired connection to Third Party Network | | Hardwired connection to Host device |
| | Wireless connection to Third Party Network | | Wireless Infrastructure Mode |
| | Wired connection to Third Party Guest Network | | LAN Infrastructure Mode |
| | Wireless connection to Third Party Guest Network | | Access Point Mode |
| | Wireless connection to built-in WMF72 | | |